

traces

# tracestones

*traces arricchisce la materia ceramica di una forte carica espressiva  
e regala unicità di stile a progetti di interior design*

*traces enriches the ceramic surface with a sophisticated charme  
giving to interior design a unique style*



# traces of

surfaces



satin

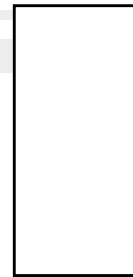


polished

sizes



60•120



45•90



30•60



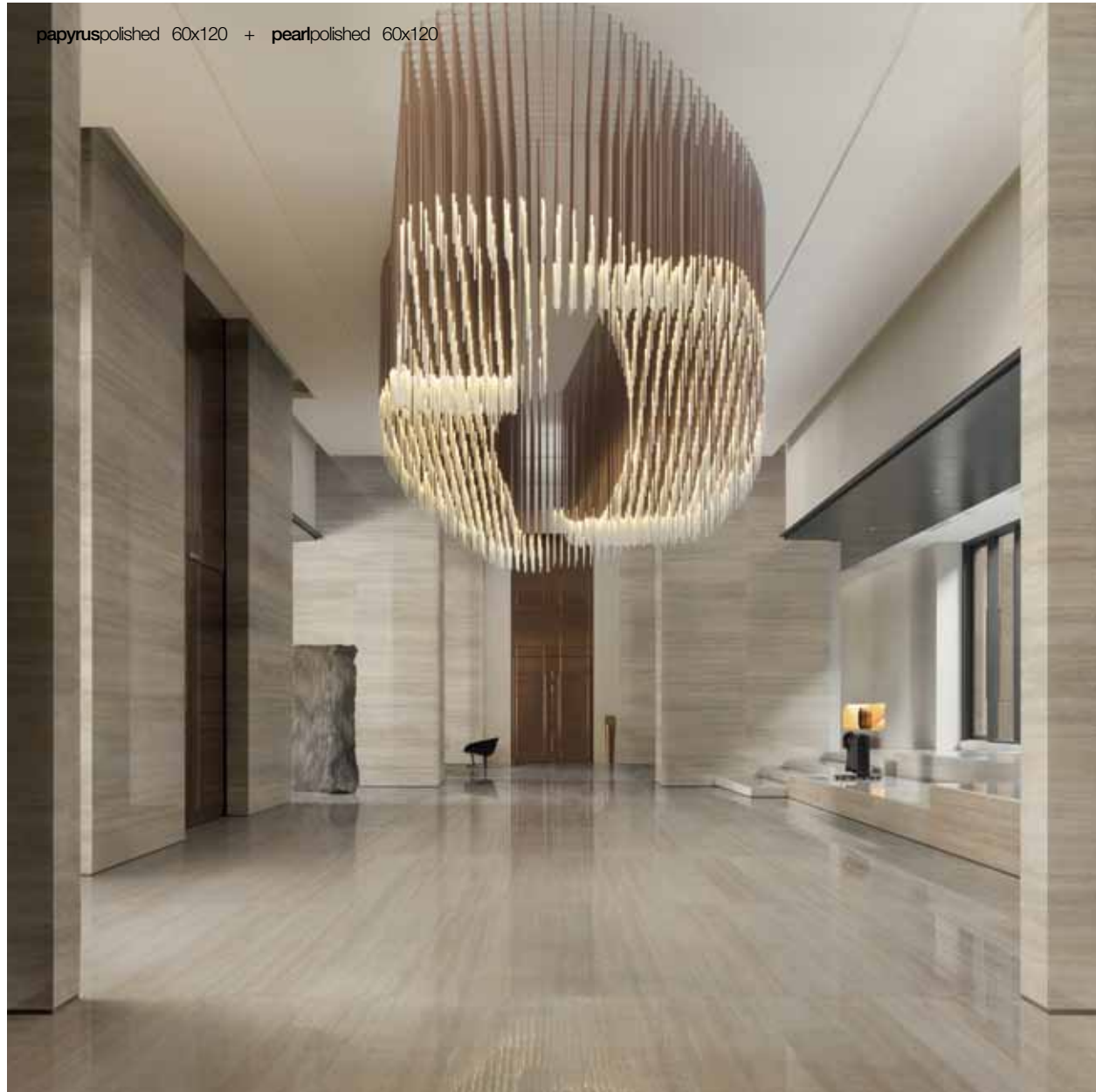
7.5•15

# tracesmood

*aces trasforma le superfici che riveste  
in scenari di grande personalità ed eleganza*

*traces bring to life sophisticated textures,  
showing scenarios of strong identity and fine elegance*



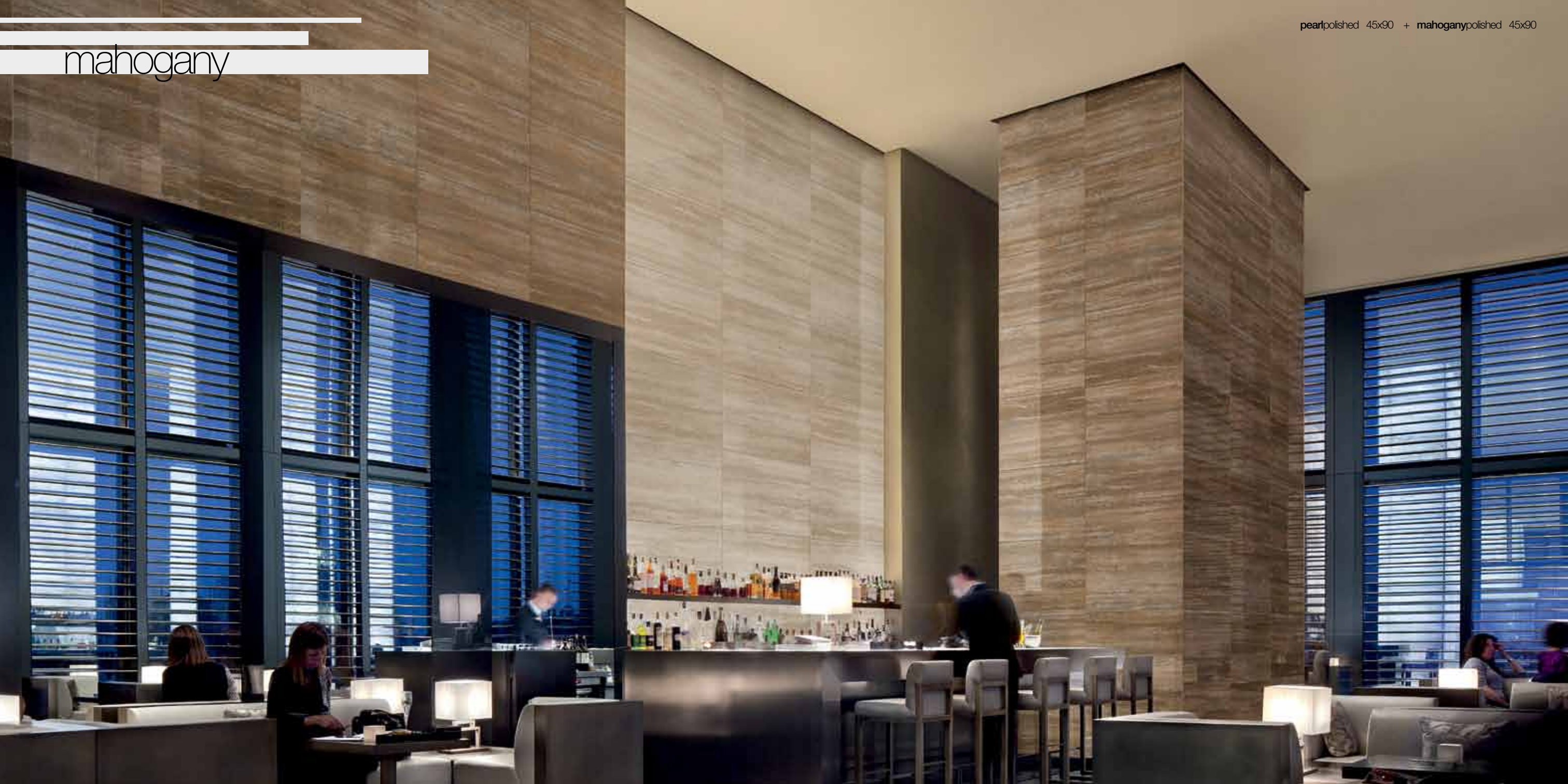


papyrus



mahogany

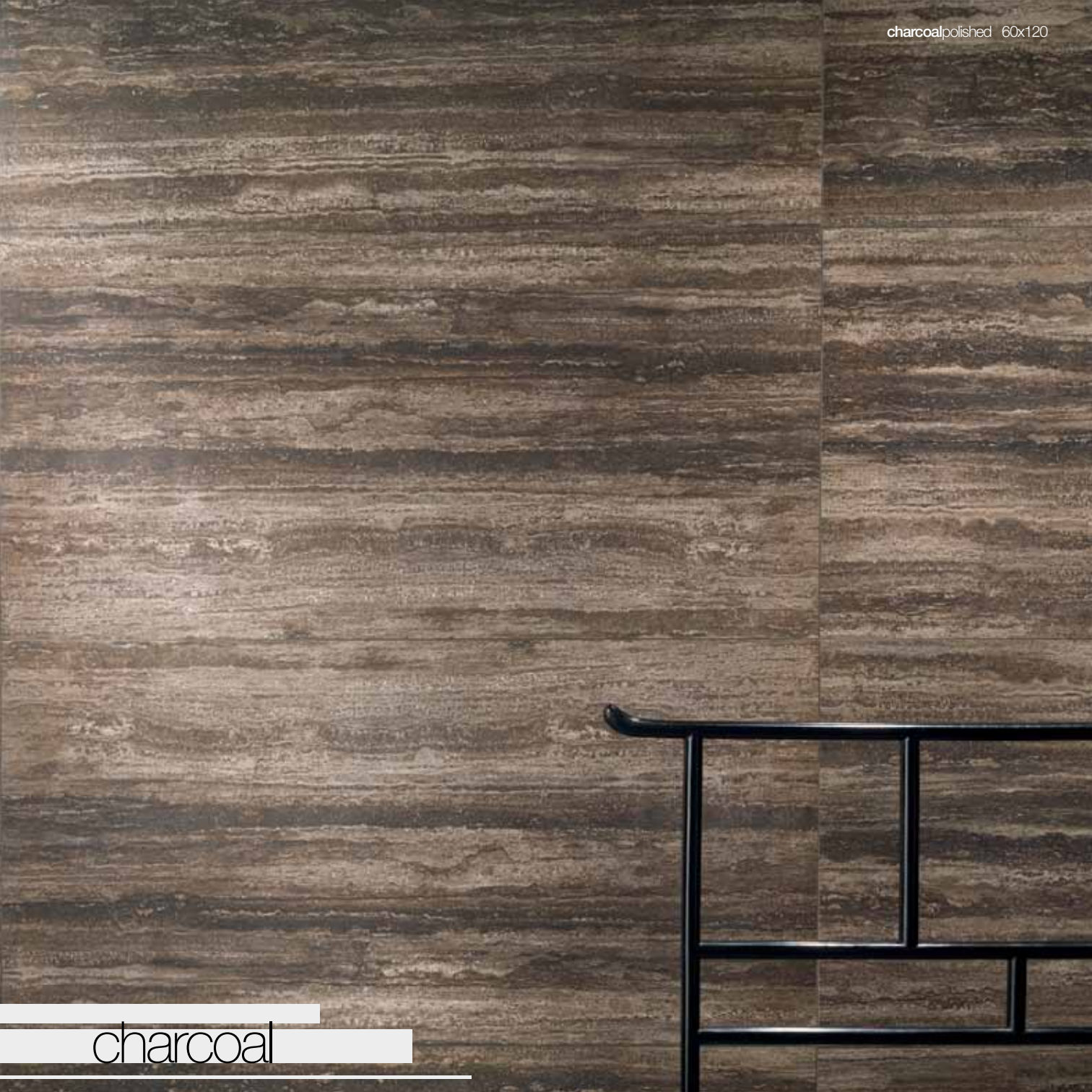
pearlpolished 45x90 + mahoganypolished 45x90





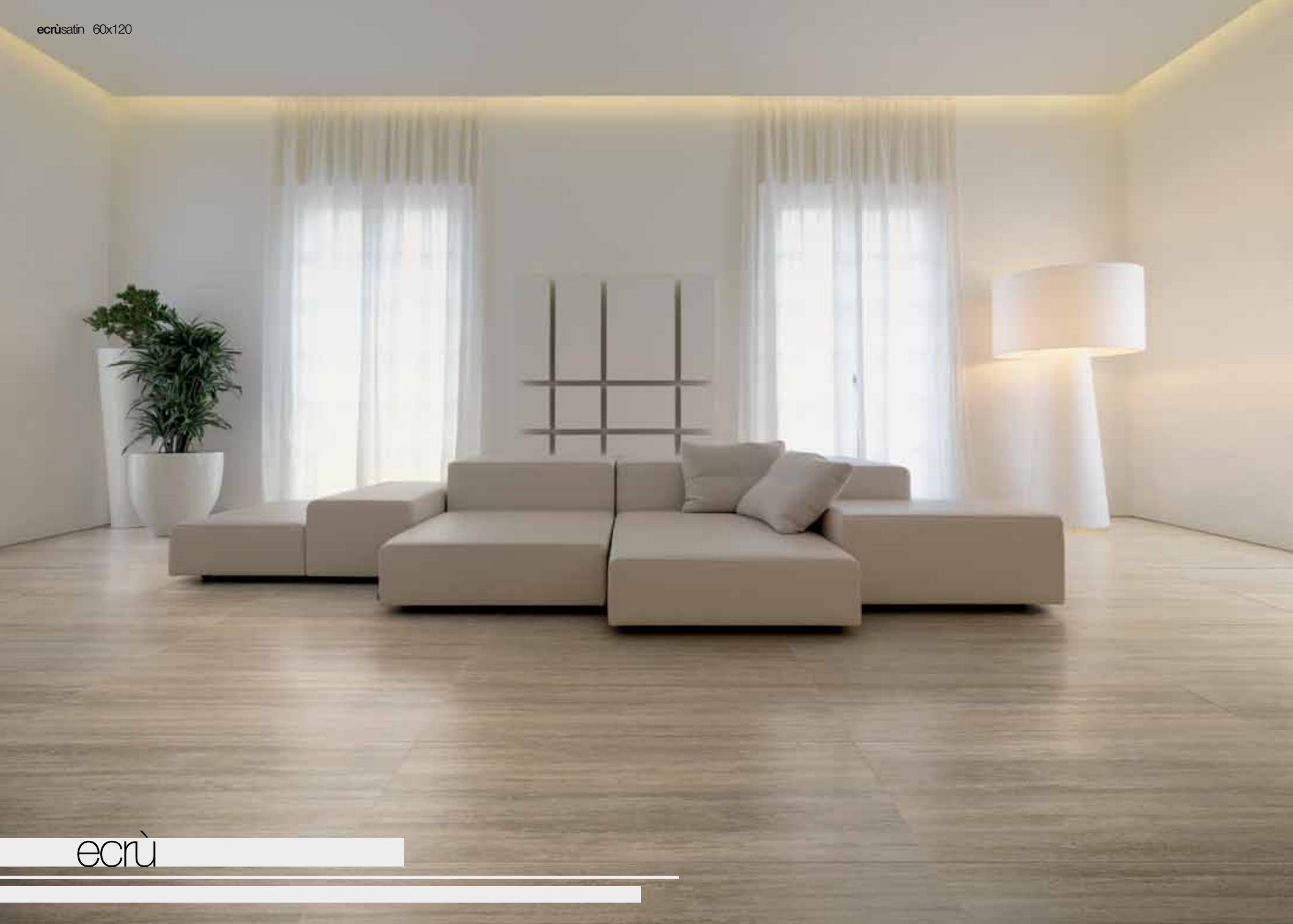


charcoalpolished 60x120 + charcoalsatin 60x120



charcoal





ecrùsatin 45x90



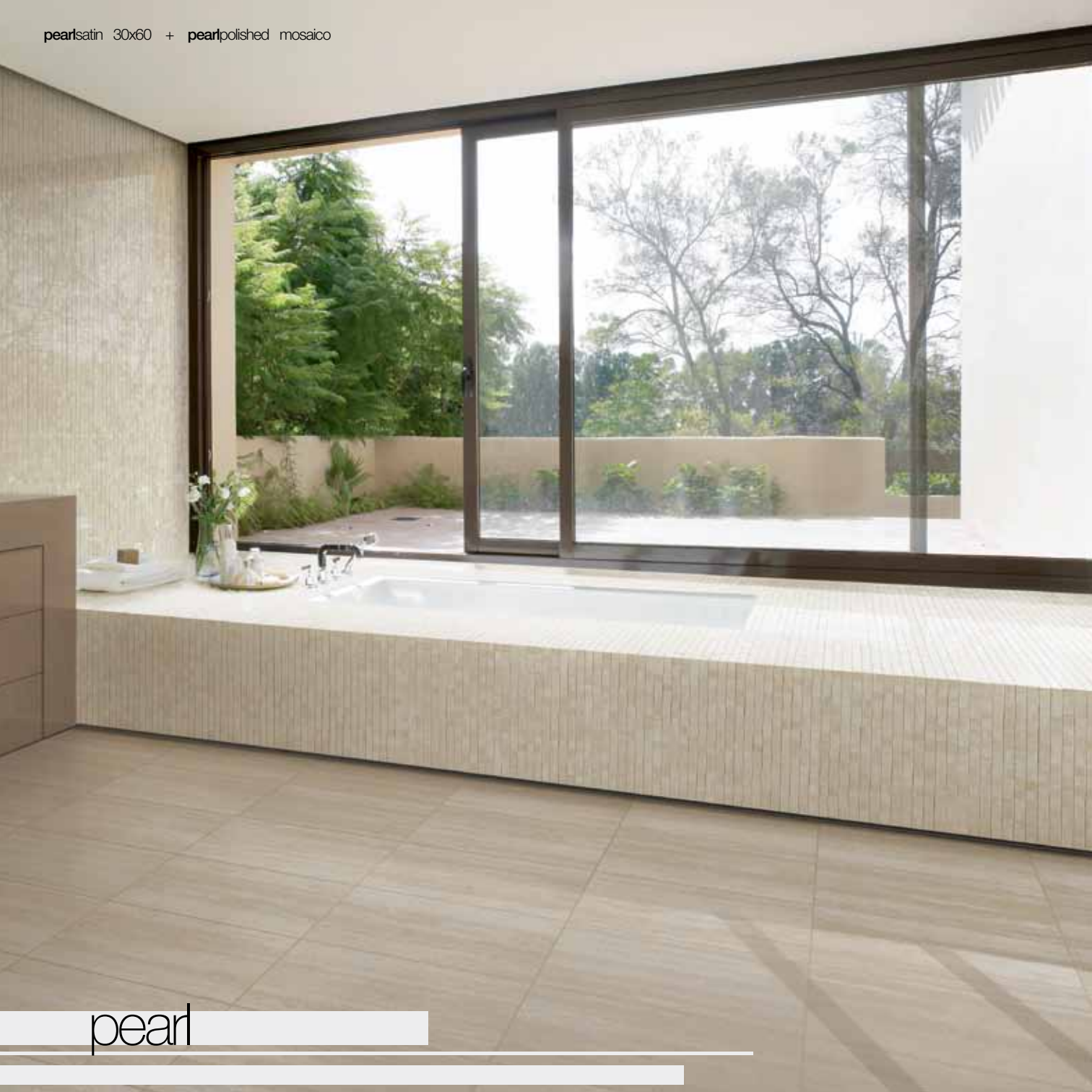


mahogany





pearlsatin 30x60 + pearlpolished mosaico



pearl



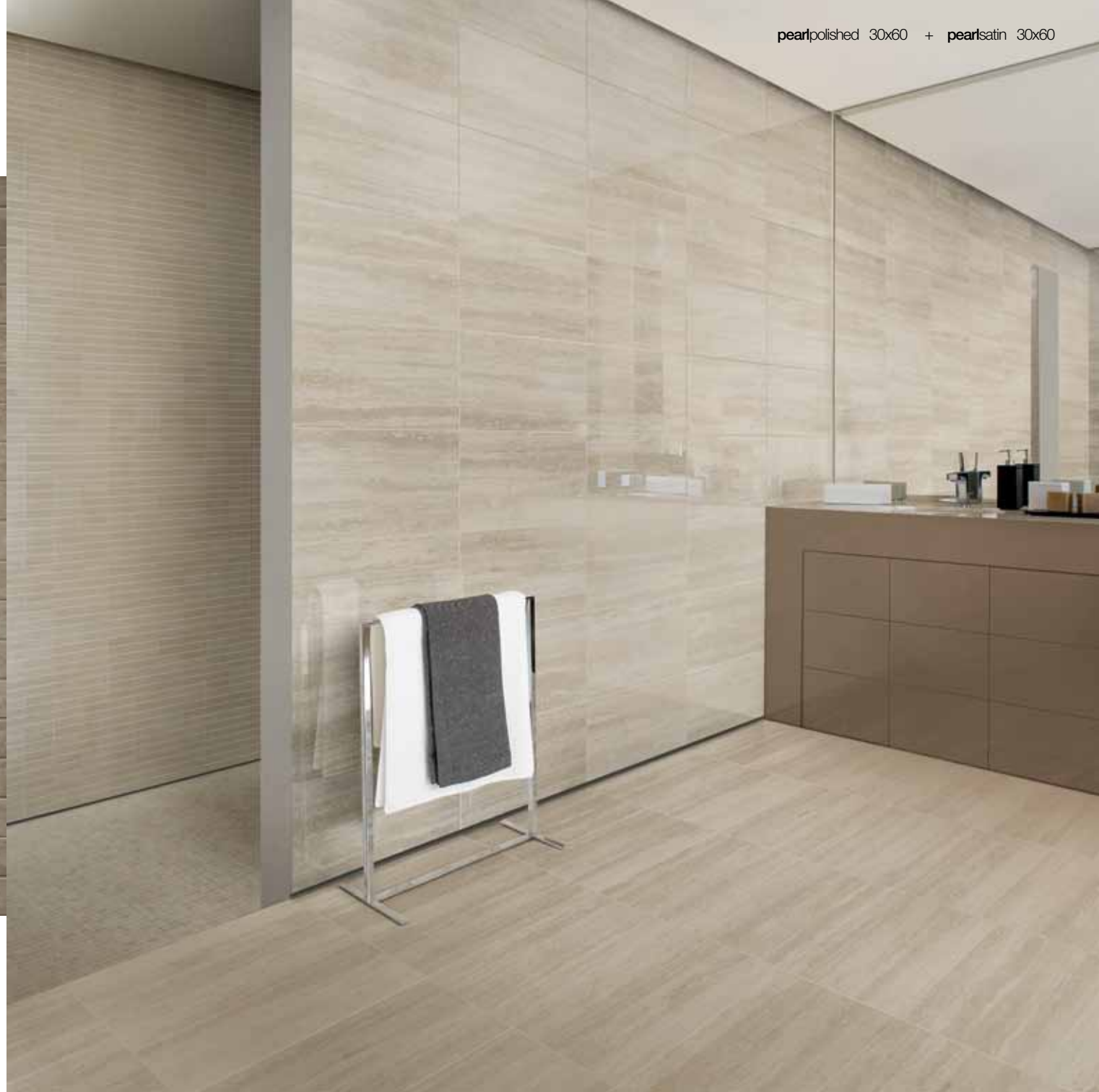
papyrus

papyrussatin mosaico

pearlpolished muretto



pearlpolished 30x60 + pearlsatin 30x60





tones



pearl



papyrus



ecrù

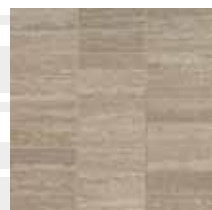


mahogany





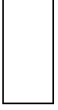

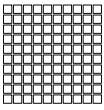

charcoal

decors

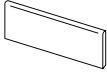
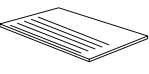
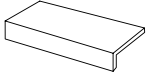
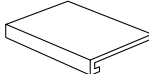



informazionitecniche  
technical informations

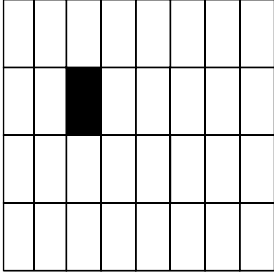
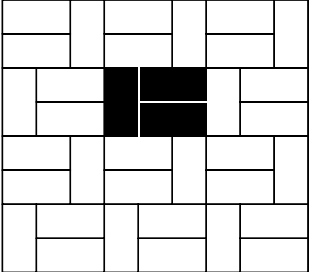
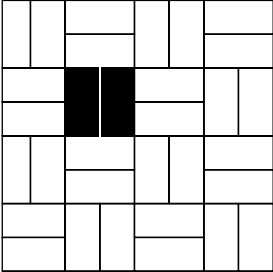
formati sizes formate formats

					
60 x 120 24" x 48"	45 x 90 18" x 36"	30 x 60 12" x 24"	7.5 x 15 3" x 6"	30 x 30 12" x 12"	30 x 30 12" x 12"
satin rettificato <b>68</b>	<b>62</b>	<b>53</b>	<b>77</b>	<b>140</b>	<b>20</b>
polished rettificato <b>82</b>	<b>76</b>	<b>68</b>	<b>96</b>	<b>28</b>	<b>30</b>

pezzi speciali special items pièces especiales fornteile

battiscopa smaltato	gradino	elemento a L	gradone costa retta	gradone angolare costa retta dx/sx
				
7 x 60 3" x 24"	30 x 60 12" x 24"	30 x 60 12" x 24"	30 x 60 12" x 24"	30 x 120 12" x 48"
satin rettificato <b>15</b>	<b>33</b>	<b>49</b>	<b>115</b>	<b>185</b>
polished rettificato <b>16</b>	<b>37</b>	<b>52</b>	<b>120</b>	<b>123</b>










soluzioni di posa laying solution propositions pour la pose verlegungsvorschläge

		
30 x 60 12" x 24" (2pz.) <b>100 %</b>	30 x 60 12" x 24" (3pz.) <b>100 %</b>	30 x 60 12" x 24" (2pz.) <b>100 %</b>
45 x 90 24" x 48" (2pz.) <b>100 %</b>	45 x 90 18" x 36" (3pz.) <b>100 %</b>	45 x 90 18" x 36" (2pz.) <b>100 %</b>
60 x 120 24" x 48" (2pz.) <b>100 %</b>		

imballi packing embalages verpackung

		spessore thickness	pezzi/sc pcs/box	mq/sc sqm/box	kg/sc kgs/box	sc/pl box/pal	mq/pl sqm/pal	kq/pl kgs/pal
60x120	rettificato	10	2	1.44	33.84	21	30.24	710.64
45x90	rettificato	10	3	1.22	28.70	32	39.04	918.40
30x60	rettificato	10	6	1.08	25.40	40	43.20	1016.00
7.5x15	rettificato	10	80	0.90	20.61	60	54.00	1236.60
30x30	mosaico		11	0.99	19.70	54	53.46	1063.80
30x30	muretto		11		19.69			
7x60	battiscopa smaltato		12		12.60			
30x60	gradino		8		33.84			
30x60	gradone costa retta		4		17.60			
30x120	gradone costa retta		2		4.40			
30x30	gradone angolare dx/sx		1		9.50			
30x60	elemento a L		4		17.20			

caratteristiche tecniche technical features carateristiques techniques technische eigenschaften

	assorbimento d'acqua water absorption absorption d'eau wasseraufnahme	<b>&lt;0,5%</b>		resistenza alle macchie stain resistance résistance aux taches fleckbeständigkeit	<b>5</b>
	resistenza alla flessione breaking strength résistance a la flexion biegezugfestigkeit	<b>35 N/mm<sup>2</sup></b>		durezza di Mohs hardness in Mohs degrees dureté de Mohs Moh'sche härte	<b>UNI EN 101 6</b>
	resistenza agli acidi resistance to acid résistance aux acides säurebeständigkeit	<b>GLA</b>		spessore thickness épaisseur dicke	<b>10mm</b>
	resistenza al gelo frost resistance résistance au gel frostbeständigkeit	<b>resiste frost proof aucune atteration keine änderung</b>		variazioni cromatiche color shade variations variation de nuance nuance variations	<b>V2 variazione leggera V2 slight variation V2 légère variation V2 leichte variation</b>
	superficie satin DIN51097 coefficiente d'attrito (scivolosità) static coefficient of friction coefficient de friction (glissement) reibungskoeffizient (schlüpfrigkeit)	<b>A+B+C &gt; 0.42</b>			

Prevedere fuga di almeno 2 mm sul monoformato e necessariamente 3 mm sul multifornato.  
Leave joints of at least 2 mm in width when laying a single size and, obligatorily, 3 mm when laying a combination of both sizes.  
Prevoir des joints de minimum 2 mm entre les carreaux pour pose monoformat et de 3 mm sur tous les multifornats.  
Wir empfehlen bei der verlegung eines formats eine fugenbreite von 2 mm, bei einem mischverband eine fugenbreite von 3 mm.



unicomstarker™

via flumendosa 7  
41042 fiorano modenese  
modena italy  
T + 39 (0) 536 926011  
F italy + 39 (0) 536 926038  
F world + 39 (0) 536 926033  
F europe + 39 (0) 536 926023

[unicomstarker.com](http://unicomstarker.com)

